



## Exceptional rough terrain capability

- Hydraulic differential lock for improved RT capability
- 35 cm ground clearance ensures exceptional rough terrain performance
- 4 wheel drive

## Excellent manoeuvrability

- Tight turning radius
- Proportional controls for extremely smooth movements



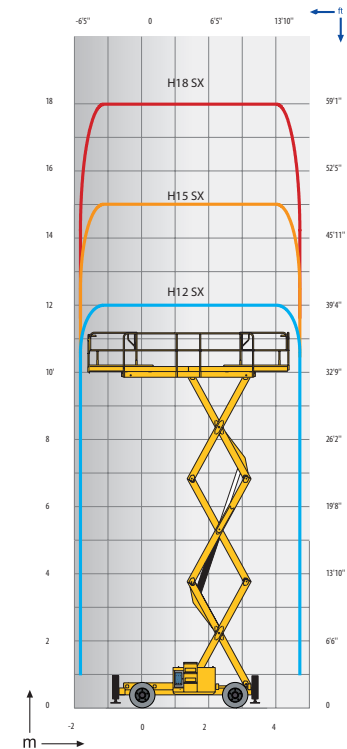
# H12 SX / H15 SX / H18 SX

ROUGH TERRAIN SCISSOR LIFTS



## TECHNICAL DATA

	H12 SX	H15 SX	H18 SX
Working height	12 m	15 m	18 m
Platform height	10 m	13 m	16 m
Drive speed	1.6 - 6 km/h	1.6 - 6 km/h	1.6 - 6 km/h
Maximum drive height	10 m	10 m	10 m
Lift capacity	700 kg (4 pers.)	500 kg (4 pers.)	500 kg (4 pers.)
Lift capacity on the extension	200 kg	200 kg	200 kg
<b>H</b> Length	4.18 m	4.18 m	4.18 m
<b>B</b> Width	2.25 m	2.25 m	2.25 m
<b>C</b> Height - stowed	2.59 m	2.77 m	2.99 m
Storage height	1.71 m	1.91 m	2.11 m
<b>G</b> Platform length	3.91 m	4 m	4 m
<b>A</b> Extended platform length	6 m	6 m	6 m
Platform extension length	1 m	1 m	1 m
<b>F</b> Platform width	1.89 m	1.89 m	1.89 m
<b>D</b> Wheelbase	2.75 m	2.75 m	2.75 m
<b>E</b> Ground clearance	35 cm	35 cm	35 cm
Number of extensions	2	2	2
Turning radius - outside	4.96 m	4.96 m	4.96 m
Lift / lower speed	43 s / 65 s	46 s / 57 s	60 s / 60 s
Engine	Hatz, 23.1kW (31.4hp), Stage 3A	Hatz, 23.1kW (31.4hp), Stage 3A	Hatz, 23.1kW (31.4hp), Stage 3A
Gradeability	45 %	45 %	45 %
Tires - foam-filled	10-16.5	10-16.5	10-16.5
Hydraulic system capacity	100 l	100 l	100 l
Weight	5 440 kg	6 300 kg	7 240 kg



## STANDARD EQUIPMENT

- 4 wheel drive (2 wheel steer)
- 5° tilt alarm
- 2 metres of platform extension
- Platform Load Management System
- 12 V - 95 Ah batteries
- 14 V - 50 A alternator
- Removable operator's control box
- Free wheeling device
- Hourmeter
- Horn
- Towing and lifting hooks
- Hydraulic brakes
- Centralised stabiliser (H18 SX)
- Manual emergency lowering system

## OPTIONS AND ACCESSORIES

- Rotating beacon
- Travel alarm
- Power to platform
- Working light
- Encoded starting device
- Biodegradable hydraulic oil
- Motion alarm for movements and translation
- Non-marking tyres
- Warm Environment Kit
- Centralised outrigger control with automatic levelling (standard on H18SX)

